

 **Discovery™**

AGES  
**8+**

# INSTRUCTION MANUAL



**Night Vision Scope**  
Outdoor Exploration Gear

 **x4**  
**NOT INCLUDED**



**WARNING:**  
**SUN HAZARD** – Never look directly at the sun with this device.



**WARNING:**  
**CHOKING HAZARD** – Small parts.  
Not for children under 3 years.

# CONTENTS

- 01** Night Vision Scope
- 02** Carry Bag

# CONTENTS



## WARNING

SUN HAZARD – Never look directly at the sun with this device.  
CHOKING HAZARD – Small parts. Not for children under 3 years.

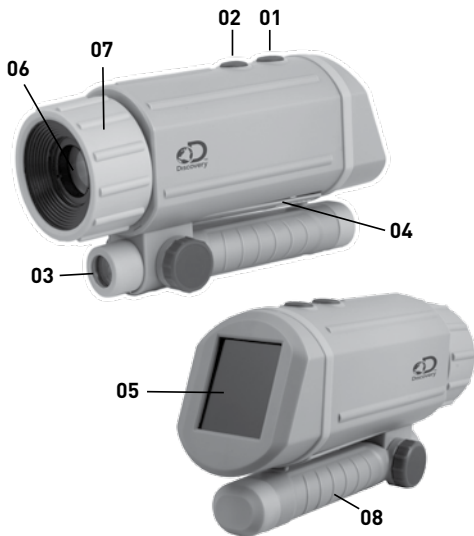
# INSTRUCTION MANUAL

## Experience Night Vision!

In low light or no light, Discovery's Night Vision device can give your eyes the illumination boost they need for activities like nocturnal wildlife watching, exploring, camping and more. In total darkness, you can see objects more than 20 yards away using the infrared illuminator. In low light conditions, the device will amplify residual light and allow you to observe objects more than 50 yards away. This lightweight optical aid is designed for on-the-go adventure. Take it outside and scan your surroundings for opossums, raccoons, owls or other nighttime visitors. Peer into caves to see what structures and species might lie within. Or, simply use it for a fun game of hide-and-seek.

### Parts overview:

1. Device power button
2. Multifunction button
3. Infrared illuminator
4. Battery compartment
5. Viewing screen
6. Objective lens
7. Focuser
8. Collapsible handle





### **Did You Know?**

Rods and cones are two types of cells in the human retina that determine how our eyes react to light. The rods, which outnumber the cones by millions, are the most sensitive to light and determine how well we can see in the dark. Cones, which need strong light to work well, are responsible for perceiving color.

### **Getting Started:**

The device requires four AA batteries, which are not included. Operating time with quality batteries should be around eight hours with the infrared illuminator switched off or around four hours with the illuminator switched on.

To install the batteries, use an eyeglass screwdriver to loosen the screw that secures the cover to the battery compartment, which is located on the underside of the device. Once the cover is removed, insert the batteries following the polarity (+)(-) inside the fitted battery compartment. Do not force a battery into place with the polarity reversed because this can damage the device. Replace the battery door and secure the cover in place.

### **Powering ON/OFF Your Device:**

Now that you have installed the batteries, power the unit on by pressing the power button located on the top of the device closest to the viewing screen for 1 to 2 seconds. A battery strength indicator will appear in the bottom right corner of the display screen. This same button is used to power off the device.

### **Using The Multifunction Button:**

This button, which is located on the top of the unit, serves multiple purposes. It can be used to turn the infrared illuminator on and off. It also can be used to change the brightness of the infrared illuminator or the display screen.

- To turn on the infrared illuminator, press the button labeled IR on the top of the device for approximately 1 second. An indicator will appear in the lower left corner of your display screen.
- To change the brightness of the infrared illuminator, press the same IR button for about 1 second. The brightness will increase or decrease if it is already at the maximum brightness with each press. The number of lines around the IR indicator icon on the display screen indicates the current brightness level. The number of lines increases as the brightness goes up. To quickly reach the maximum brightness level, hold the button down for 2 to 3 seconds.
- To turn off the infrared illuminator, press the IR button in 1-second bursts until the IR icon disappears from the display screen.
- To adjust the brightness of the display screen, quickly press the IR button for less than 1 second until the level of brightness that you need is achieved.

### **Focusing:**

To get the best view of the object or subject you are looking at, you will need to adjust the focus by turning the objective lens until you achieve a clear image. As the distance between you and your target increases or decreases, you probably will need to adjust your focus again.

### **Cleaning instructions**

To clean the lens and screen on this device, only use a soft, lint-free cloth like a microfiber cloth. Do not apply excess pressure to the cloth to avoid scratching the lens. To remove more stubborn dirt, moisten the cleaning cloth with an eyeglass-cleaning solution and wipe these areas gently being careful to avoid excess pressure. Protect this device from dust and moisture. When using in high humidity conditions, let the device acclimatize for a short period of time before storing in the included bag so that residual moisture can dissipate.

## SAFETY WARNINGS

### Read and follow the instructions, safety rules, and first aid information.

- **Respect privacy:** When using this device, respect the privacy of other people. For example, do not use them to look into people's homes.
- **Choking hazard:** Children should only use device under adult supervision. Keep packaging materials like plastic bags and rubber bands out of the reach of children as these materials pose a choking hazard.
- **Battery guidelines:** This device contains electronic components that are powered by batteries. Batteries should be kept out of children's reach. When inserting batteries, please ensure the polarity is correct. Insert the batteries according to the displayed +/- information. Never mix old and new batteries. Replace all batteries at the same time. Never mix alkaline, standard carbon-zinc and rechargeable nickel-cadmium batteries.
- Never short circuit the device or batteries or throw either into a fire. Leaking or damaged batteries can cause injury if they come into contact with the skin. If you need to handle such batteries, please wear suitable safety gloves. Remove batteries from the product before extended storage to prevent leaking. Do not immerse the battery compartment in water.
- **Risk of fire:** Do not place device, particularly the lenses, in direct sunlight. The concentration of light rays could cause a fire.
- **Do not disassemble** this device. In the event of a defect, please contact your dealer. The dealer will contact the Customer Service Department and can send the device in to be repaired if necessary.
- Do not subject the device to temperatures exceeding 60° C [140° F].
- This device complies with part 15 of the FCC Rules. Operation is subject to the following conditions: This device may not cause harmful interference. This device must accept interference received, including interference that causes undesired operation.



- **Disposal:** Keep packaging materials, like plastic bags and rubber bands, away from children as they pose a risk of suffocation. Dispose of packaging materials as legally required. Consult the local authority on the matter if necessary and recycle materials when possible.



©2017 Discovery Communications, LLC. Discovery™ and the Discovery™ logo are trademarks of Discovery Communications, LLC, used under license.  
All rights reserved. [discoverykids.com](http://discoverykids.com)

©2017 Explore Scientific, LLC, a Journey North Company.  
1010 S. 48th Street, Springdale AR 72762  
All rights reserved. [explorescientificusa.com](http://explorescientificusa.com) | [exploreone.com](http://exploreone.com) | 866.252.3811  
Made in China

CONFORMS TO THE SAFETY REQUIREMENTS OF ASTM F963

