

HOW TO SET UP

Getting Started:

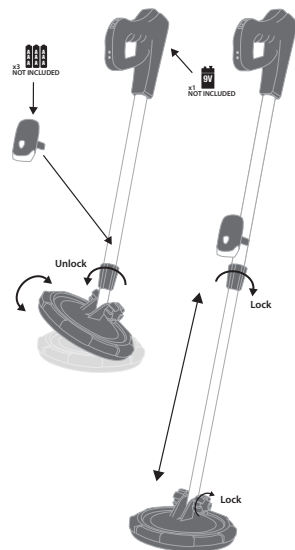
Your metal detector comes completely assembled. You only need to install batteries (not included) in the metal detector and its light and adjust the detector to the height you would like it to be.

Installing The Batteries In The Metal Detector:

You will need a 9-volt battery (not included) to power the metal detector. Remove the battery door from the compartment located in the handle of the unit with a screwdriver. Insert a 9-volt battery in the compartment by following the polarity (+)(-) markings on the inside of the fitted battery compartment. Do not force the battery into place with the polarity reversed because this can damage the item. Replace the battery door and tighten the door with a screwdriver.

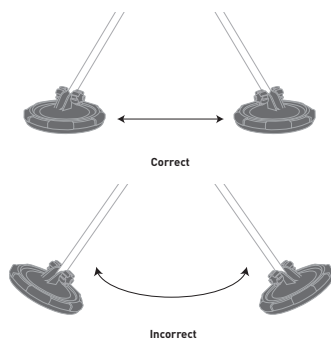
Adjusting The Height:

The metal detector can be used as a full-size metal detector or adjusted to a hand held unit. To adjust the length, turn the locking ring located on the shaft of the metal detector counter-clockwise. Adjust to desired length and position the coil to be flat to the ground while in use. Turn the locking ring clockwise to lock the length of the shaft to desired position. To adjust to a hand held unit loosen the locking rings and position the head close to the handle.



Using Your Metal Detector:

Before powering on the device, position the metal detector so the search coil is away from any metal objects. Then, turn the unit on by moving the toggle on the device away from you. You will see a green LED indicator showing the power is turned on. Your unit is self-calibrated and needs no further adjustment. Your metal detector is ready to be used in the most sensitive detection setting. To search for metal objects, swing the metal detector back and forth slowly while keeping the search coil level and about 3/4 inches above the ground. When your metal detector locates a metal object it will start to emit a tone. The more solid and louder the tone, the stronger the signal, which indicates how close the object is to the coil. The green LED indicator on the handle will illuminate when the signal strength is strong. By using both the LED indicator and the tone you will be able to discover many amazing articles just below ground. Note: The detection coil is water resistant and can be used in shallow water like puddles. Do not fully submerge the coil for long periods of time.



Using The LED Light:

The LED light that is on the shaft of the metal detector can aid you in your discoveries by illuminating darker search areas or providing extra light during dawn or twilight detecting sessions. To use the LED light, you will need to install 3 AAA batteries in the light unit. To do so, remove the battery door with a screwdriver. Insert 3 AAA batteries following the polarity (+)(-) inside the fitted battery compartment. Do not force a battery into place with the polarity reversed because this can damage the item. Replace the battery door and tighten the door

with a screwdriver. Now that you have installed your batteries in your LED light, you may power the unit on by pressing the light switch.

Places To Search:

The beach, which is a great place to begin because you will get fewer competing signals on a sandy beach and it will be easier to dig there; Under trees where people may have sat to rest; At the homes of your relatives — especially those that live in older homes; Your own front and back yards; or areas where historic battles occurred (Be sure to ask permission first because you may not be able to remove objects from these locations).

Know These Important Rules Of Metal Detecting And Digging:

Some parks and public land prohibit metal detecting and digging. Always check first. Always ask for permission from the property owner before entering private property. Be responsible and cover the holes that you dig.

Cleaning Tips:

Dampen a cloth (not included) with cleaning solution and gently wipe away any residue. Protect the device against dirt and dust, and always leave it to dry properly after use at room temperature before storing.

SAFETY WARNINGS

Read and follow the instructions, safety rules, and first aid information.

- Respect privacy: When using this device, respect the privacy of other people. For example, do not use them to look into people's homes.
- Choking hazard: Children should only use device under adult supervision. Keep packaging materials like plastic bags and rubber bands out of the reach of children as these materials pose a choking hazard.
- Battery guidelines: This device contains electronic components that are powered by batteries. Batteries should be kept out of children's reach. When inserting batteries, please ensure the polarity is correct. Insert the batteries according to the displayed +/- information. Never mix old and new batteries. Replace all batteries at the same time. Never mix alkaline, standard carbon-zinc and rechargeable nickel-cadmium batteries.
- Risk of fire: Do not place device, particularly the lenses, in direct sunlight. The concentration of light rays could cause a fire.
- Do not disassemble this device. In the event of a defect, please contact your dealer. The dealer will contact the Customer Service Department and can send the device in to be repaired if necessary.
- Never short circuit the device or batteries or throw either into a fire. Leaking or damaged batteries can cause injury if they come into contact with the skin. If you need to handle such batteries, please wear suitable safety gloves. Remove batteries from the product before extended storage to prevent leaking. Do not immerse the battery compartment in water.
- Do not subject the device to temperatures exceeding 60° C (140° F).
- This device complies with part 15 of the FCC Rules. Operation is subject to the following conditions: This device may not cause harmful interference. This device must accept interference received, including interference that causes undesired operation.



- Disposal: Keep packaging materials, like plastic bags and rubber bands, away from children as they pose a risk of suffocation. Dispose of packaging materials as legally required. Consult the local authority on the matter if necessary and recycle materials when possible.

PRODUCT INTRODUCTION

Discover Hidden Treasures!

You don't have to sail the high seas or come across an ancient map to find buried treasure. In fact, all around us precious metals are located just beneath the surface waiting to be found. All you need to start hunting is a metal detector! With the National Geographic Metal Detector, you can unearth coins, jewelry and even antique pieces. Depending on what you find, you can then turn your treasure into cash, clean it up and keep it or use these items as clues to learn more about the history of the area you're searching.

For Instance, Did You Dig Up A Horseshoe?

Discoveries like this can give us a glimpse into the past. The soil you're searching could be the former site of a farm or even a civil war camp.

Did You Find A Coin?

When you unearth a coin, the first thing you'll want to do is check to see the date on it. If the dates go back far enough, someone's lost pocket change might be worth more than face value. For example, any U.S. dime, quarter, half dollar or dollar coin that is dated 1964 or earlier is made up of 90 percent silver – which means it is worth more!

Did You Discover A Piece Of Jewelry?

It can be difficult to determine the value of a piece of jewelry at a glance, but researching just what you've found can be rewarding both financially and mentally. Whether it is a ring, an earring or a necklace, every piece of jewelry has a story and imagining what that is can be lots of fun.

Did You Know?

A great time to go metal detecting is right after a heavy rain because the ground is soft. Wet ground also is a better conductor than dry ground so you will have a better chance of locating objects that could be buried deeper than you would in dry ground.

3

©2018 National Geographic Partners LLC. All rights reserved.
NATIONAL GEOGRAPHIC and Yellow Border Design are trademarks of the
National Geographic Society, used under license.

©2018 Explore Scientific, LLC.
1010 S. 48th Street, Springdale AR 72762
All rights reserved. explorescientificusa.com | exploreone.com | 866.252.3811
Made in China

CONFORMS TO THE SAFETY REQUIREMENTS OF ASTM F963

NATIONAL
GEOGRAPHIC™

INSTRUCTION MANUAL

AGES
8+

WARNING:
CHOKING HAZARD – Small parts.
Not for children under 3 years.



AAA x3
NOT INCLUDED

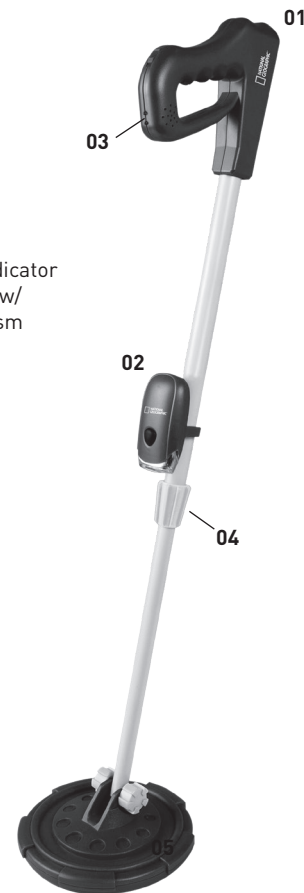
9V x1
NOT INCLUDED

Do not mix old and new batteries. Do not mix alkaline,
standard (carbon-zinc), or rechargeable (ni-cad, ni-mh, etc.) batteries.

JR METAL DETECTOR
OUTDOOR EXPLORATION GEAR

CONTENTS

- 01 Metal Detector
- 02 LED Light
- 03 Handle w/LED Indicator
- 04 Extendable Shaft w/
Locking Mechanism
- 05 Detection Coil



2